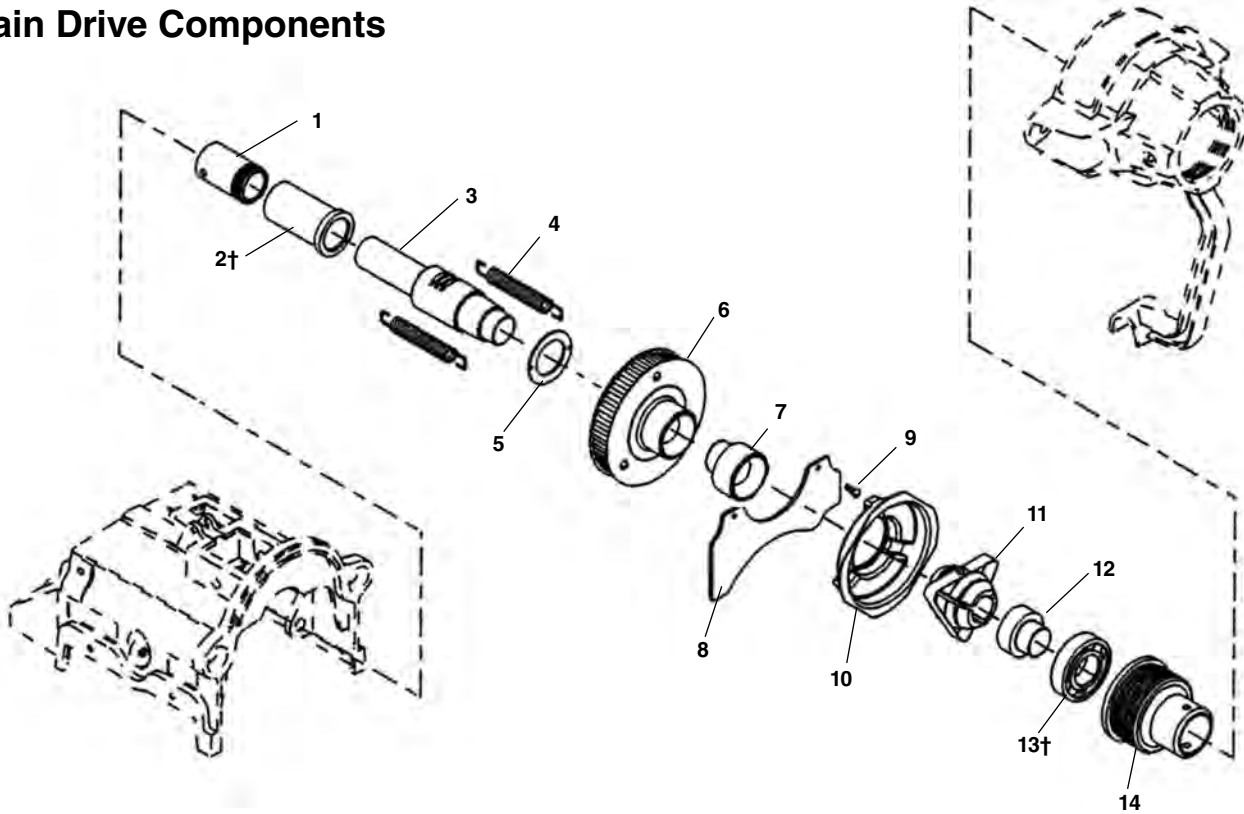


Main Drive Components



**NOTE: Order parts by Catalog Number only.
DO NOT order by Reference Number.**

Ref. No.	Catalog No.	Description	Ref. No.	Catalog No.	Description
1	65727	Steel Insert	8	65697	Baffle
2†	65722	Sleeve Bearing	9	61110	10 - 32 x 3/8" Screw (2)
3	65712	Shaft w/Rack	10	65692	Jawset Cover
4	65717	Extension Spring (2)	11	65687	Clutch Jaw
5	65707	Spring Plate	12	65682	Idler Cone
6	65702	Pulley Assembly	13†	65677	Bearing (2)
7	66897	Drive Cone	14	65672	Adjustment Cap

† – Apply Loctite® #642 to O.D of Sleeve Bearing (Ref. #2).

† – Apply Loctite® #642 to I.D. of Bearing (Ref. #13) prior to assembly into Shaft w/Rack (Ref. #3) and Idler Cone (Ref. #12).

Pulley Assembly

Ref. No.	Catalog No.	Description
—	65702	Pulley Assembly
1	61110	10 - 32 x 3/8" Screw (6)
2	66877	Pulley Flange (2)
3†	65677	Bearing (2)
4	66902	Pulley

† – Apply Loctite® #642 to I.D. of Bearing (Ref. #3) prior to assembly into Shaft w/Rack (Ref. #3) and Idler Cone (Ref. #12).

